



OpenAir™

## Residential Air damper actuators

Rotary version, AC/DC 24 V and AC 230 V

**GSD...6**  
**GQD...6**

GSD...6

- Electric motor driven actuators for open-close control (2-wire, SPDT)
- 2 Nm nominal torque
- AC/DC 24 V or AC 230 V rated voltage
- Pre-wired with 0.9 m cable
- Version with RJ12 jack

GQD...6

- Electric motor driven actuators for 2-position control
- 2 Nm nominal torque
- Spring return
- AC/DC 24 V or AC 230 V rated voltage
- Pre-wired with 0.9 m cable

### Use

- For damper areas up to 0.3 m<sup>2</sup> or barrel dampers up to 12", friction dependent.
- For directly driven zone dampers used to control air flow in ducts.

## Type Summary

**Non-spring return -**  
rotary air damper  
actuators

Type	Operating voltage	Control signal	Cable length	Coupling
GSD141.6A	AC/DC 24 V	Open-close <sup>2)</sup>	0.9 m	Ø 8 mm
GSD141.6K <sup>1)</sup>	AC/DC 24 V	Open-close <sup>2)</sup>	RJ12 jack	Ø 8 mm
GSD341.6A <sup>1)</sup>	AC 230 V	Open-close <sup>2)</sup>	0.9 m	Ø 8 mm

**Spring return -**  
rotary air damper  
actuators

Type	Operating voltage	Control signal	Cable length	Coupling
GQD121.6A	AC/DC 24 V	2-position	0.9 m	Ø 8 mm
GQD321.6A	AC 230 V	2-position	0.9 m	Ø 8 mm

<sup>1)</sup> While stocks last

<sup>2)</sup> 2-wire, SPDT: single pole - double-throw





## Functions

Type	GSD141.6.. <sup>1)</sup> GSD341.6A <sup>1)</sup>	GQD121.6A GQD321.6A
Control type	Open-close <sup>2)</sup>	2-position
Rotary direction	Clockwise or counter-clockwise movement depends on the wiring of the actuator.	
Spring return	On power failure or when the operating voltage is switched off, the spring returns the actuator to its mechanical zero.	

<sup>1)</sup> While stocks last

<sup>2)</sup> 2-wire, SPDT: single pole - double-throw

## Technical Data

 Power supply AC/DC 24 V	Operating voltage AC / Frequency	AC 24 V ± 20 % ; 50 / 60 Hz
	Operating voltage DC	DC 24 V ± 15 %
	Safety extra-low (SELV) or Protection by extra-low voltage (PELV) as per	HD 384
	Requirements of external safety isolating transformer (100 % duty cycle)	EN 61 558
	Fuse for incoming supply line (fast)	2 A
	Power consumption	
	– GSD141.6 <sup>3)</sup> (running)	2 VA / 1.5 W
	(holding)	1 VA / 0.5 W
	– GQD121.6A (running)	6.5 VA / 4.5 W
	(holding)	4 VA / 2.5 W
 Power supply AC 230 V	Operating voltage / Frequency	AC 230 V ± 15 %; 50 / 60 Hz
	Fuse for incoming supply line (fast)	2 A
	Power consumption	
	– GSD341.6A <sup>3)</sup> (running)	12 VA / 2 W
	(holding)	12 VA / 2 W
	– GQD321.6A (running)	10 VA / 4.5 W
(holding)	7 VA / 3 W	
Function data	Nominal torque	2 Nm
	Maximum torque	6 Nm
	Nominal rotational angle	90°
	Maximum rotational angle (mechanically limited)	95° ± 2°
	Runtime for nominal rotational angle 90 °	30 s
	Closing time with spring return (on power failure)	15 s
	Duty cycle	100 %
	Direction of rotation	Clockwise / Counter-clockwise
	Mechanical life	25 000 cycles
	Connection cables	Cable length
Cross-section		0.75 mm <sup>2</sup>
Housing protection	Degree of protection as per EN 60 529	IP40
Protection class	Insulation class	EN 60 730
	– AC 230 V	
	– AC/DC 24 V	
Environmental conditions	Operation	IEC 721-3-3
	– Climatic conditions	Class 3K5
	– Mounting location	interior, weather-protected
	– Temperature extended	-32...+55 °C
	– Humidity (non-condensing)	< r.H. 95 %
	Transport	IEC 721-3-2
	– Climatic conditions	Class 2K3
	– Temperature extended	-32...+70 °C
	– Humidity (non-condensing)	< 95 % R.H.
	Storage	IEC 721-3-1
– Climatic conditions	Class 1K3	
– Temperature extended	-32...+50 °C	
– Humidity (non-condensing)	< 95 % R.H.	

	Mechanical conditions	Class 2M2	
Standards	Product Safety	Automatic electrical controls for household and similar use (type 1)	
		IEC/EN 60 730-2-14	
	Electromagnetic compatibility (Application)	For residential, commercial and industrial environments	
		GSD..6	GQD..6
EU Conformity (CE)		A5W00004362 <sup>1)</sup>	A5W00004364 <sup>1)</sup>
		GSD..6	GQD..6
RCM Conformity		A5W00004363 <sup>1)</sup>	A5W00004365 <sup>1)</sup>
	Product environmental declaration <sup>2)</sup>	CM2E4604E <sup>1)</sup>	
Dimensions	Actuator	W × H × D (see section "Dimension")	
		70 X 121.4 X 62.5	
	Damper shaft		
	– Round	8 mm	
	Min. length	15 mm	
	Max. shaft hardness	300 HV	
Weight	Without packaging		
	– GSD141.6A	0.43 kg	
	– GSD141.6K <sup>3)</sup>	0.36 kg	
	– GSD341.6A <sup>3)</sup>	0.44 kg	
	– GQD121.6A	0.47 kg	
	– GQD321.6A	0.48 kg	

<sup>1)</sup> The documents can be downloaded from <http://siemens.com/bt/download>

<sup>2)</sup> The product environmental declaration contains data on environmentally compatible product design and assessments (RoHS compliance, materials composition, packaging, environmental benefit, disposal).

<sup>3)</sup> While stocks last

## Mechanical design

---

### Basic components

Housing	Fiberglass reinforced plastic
Gear train	Maintenance-free, low-noise

### Engineering notes

---

#### STOP


This section explains general and system-specific regulations for mains and operating voltages. It also contains important information regarding your own safety and that for your plant.

Intended use


Use these actuators as described in the basic system documentation for the applied control systems. Additionally, take account of all actuator-specific features and conditions as described in the brief description on the front page of this data sheet (bold print) and in the sections "Use", "Engineering Notes" and "Technical Data".



The sections flagged with the warning symbol illustrated in the left margin contain safety-related requirements and restrictions. It is important that these are adhered in order to prevent physical injury and equipment damage.

 AC/DC 24 V supply

Operate the actuators only on safety extra-low voltage (SELV) or protective extra-low voltage (PELV) as per HD 384.

 AC 230 V supply

The actuators are double-insulated and there is no connection for the protective ground.

#### CAUTION

##### Do not open the actuator!

- The actuators are maintenance-free.
- Any repair work must be conducted by the manufacturer only.
- Opening the actuator will void the warranty.
- Spring return actuators contain pre-tensioned springs. Only trained personnel may open such actuators (by means of special tools).

Parallel connection

Up to 10 actuators of the same type can be electrically wired in parallel. The admissible cable length and cable cross-section must be observed.

Sizing transformers for AC 24 V

Use safety insulating transformers as per EN 61 558 with double insulation, designed for 100 % duty to supply SELV or PELV circuits.

Observe all local safety rules and regulations pertaining to the sizing and protection of transformers.

Determine the transformer power consumption by adding up the power consumption in VA for all actuators used.

Wiring and commissioning

Refer to the sections "Commissioning Notes" and "Wiring Diagrams" in this data sheet as well as to the HVAC job drawings.

### Mounting notes

---

Mounting instructions

All information and steps to properly prepare and mount the actuator are listed in the mounting instructions supplied with the actuator.

Mounting position

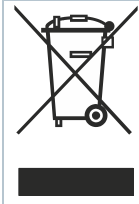
Mount the actuator in a position which ensures easy access to the cables and to the shaft adapter. Refer to the "Dimensions" section.

Damper shafts

Information on minimum length and diameter for the damper shaft is available in the "Technical Data" section.

## Disposal

---



The device is considered electrical and electronic equipment for disposal in terms of the applicable European Directive and may not be disposed of as domestic garbage.

- Dispose of the device through channels provided for this purpose.
- Comply with all local and currently applicable laws and regulations.

## Commissioning notes

---

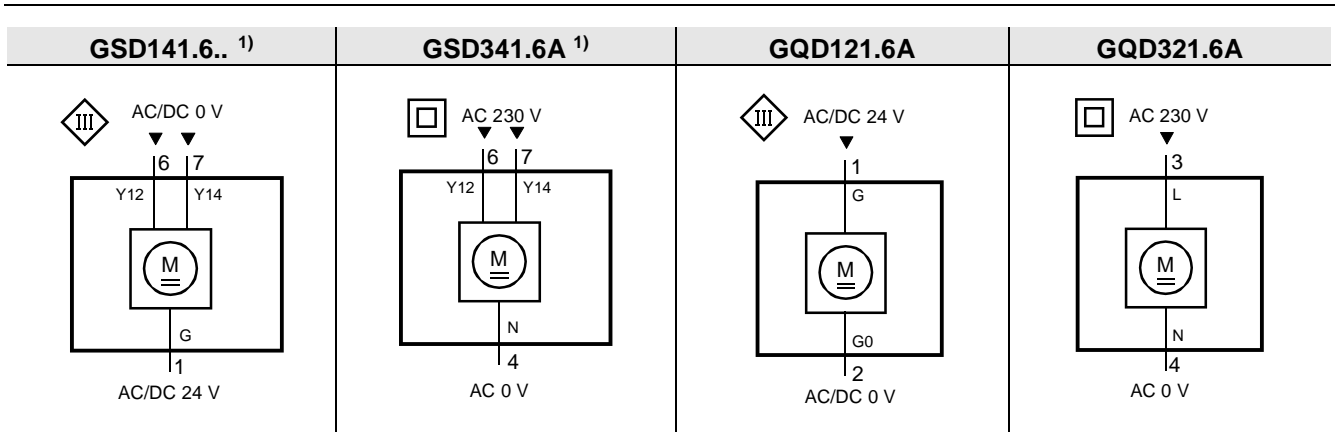
References	For commissioning, the following reference documentation must be available: <ul style="list-style-type: none"><li>• This data sheet</li><li>• Job diagram</li></ul>
Ambient conditions	Check to ensure that all permissible values, as contained in the section “Technical Data”, have been observed.
Mechanical check	<ul style="list-style-type: none"><li>• Check for proper mounting and ensure that all mechanical settings correspond to the plant-specific requirements. Additionally, ensure that the dampers are tightly closed when in the closed position.</li><li>• Check the direction of rotation.</li><li>• Fasten the actuator securely to avoid twisting and blocking of the actuator.</li></ul>
Electrical check	<ul style="list-style-type: none"><li>• Check to ensure that the cables are connected in accordance with the plant wiring diagram (see “Wiring Diagrams”).</li><li>• The operating voltage AC/DC 24 V (SELV/PELV) or AC 230 V must be within the tolerance values.</li></ul>

## Functional check

GSD141.6A	Power supply AC/DC 24 V wire red (1) Control signal AC/DC 0 V <ul style="list-style-type: none"><li>• Wire violet (6) ON: actuator turns clockwise</li><li>• Wire orange (7) ON: actuator turns counter-clockwise</li></ul>
GSD141.6K <sup>1)</sup>	Power supply AC/DC 24 V wires green/red (3/4) Control signal AC/DC 0 V <ul style="list-style-type: none"><li>• Wires black/white (1/2) ON: actuator turns clockwise</li><li>• Wires blue/yellow (5/6) ON: actuator turns counter-clockwise</li></ul>
GSD341.6A <sup>1)</sup>	Power supply AC 0 V wire blue (4) Control signal AC 230 V <ul style="list-style-type: none"><li>• Wire black (6) ON: actuator turns clockwise</li><li>• Wire white (7) ON: actuator turns counter-clockwise</li></ul>
GQD121.6A	Power supply AC/DC 24 V wires red (1) and black (2) <ul style="list-style-type: none"><li>• Power ON: actuator turns clockwise</li><li>• Power OFF: actuator turns mechanically counter-clockwise (by spring)</li></ul>
GQD321.6A	Power supply AC 230 V wires brown (3) and blue (4) <ul style="list-style-type: none"><li>• Power ON: actuator turns clockwise</li><li>• Power OFF: actuator turns mechanically counter-clockwise (by spring)</li></ul>

<sup>1)</sup> While stocks last

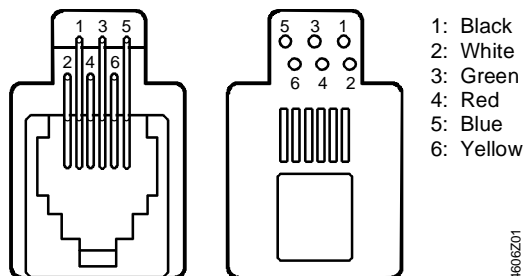
## Wiring diagrams



### Cable labeling

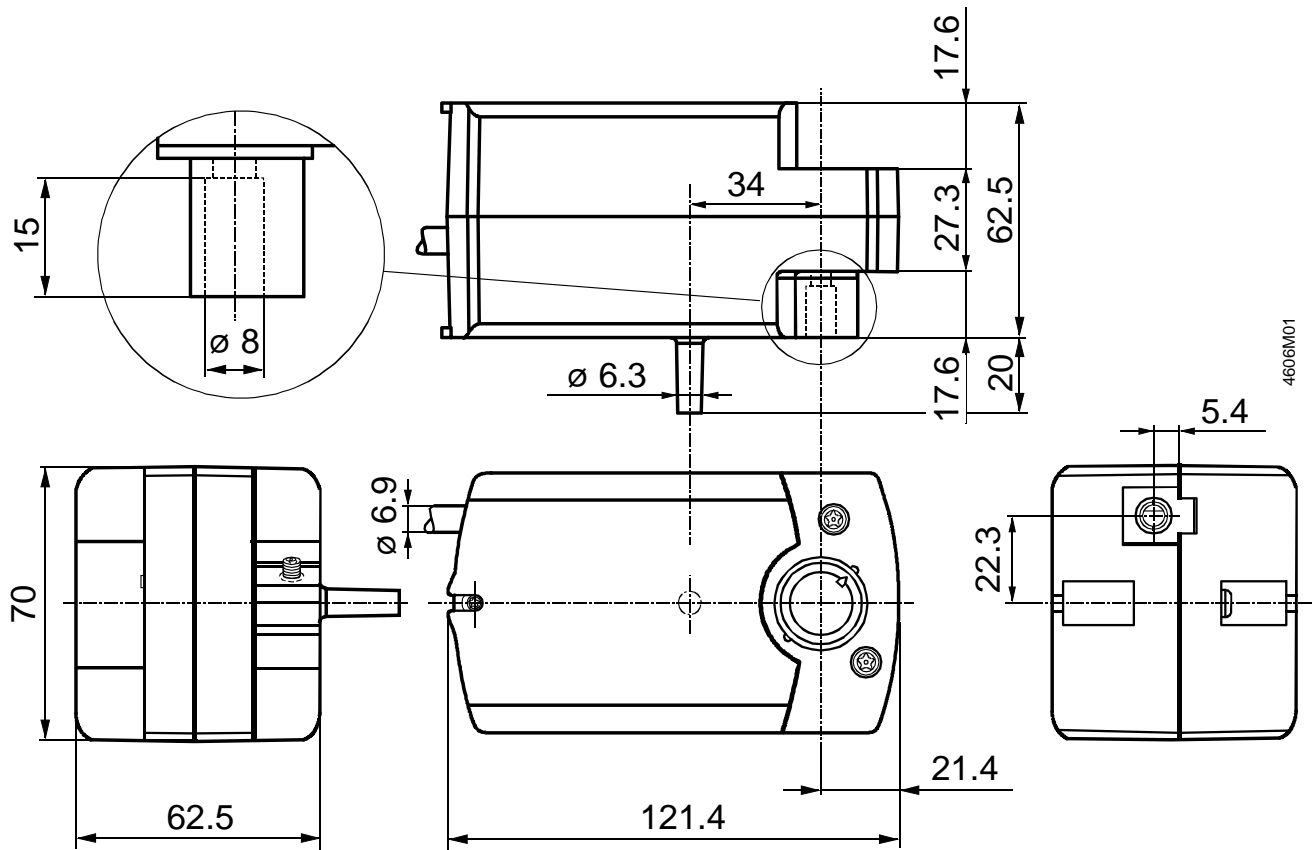
Pin	Cable				Meaning
	Code	No.	Color	Abbreviation	
<b>GSD141.6..</b> AC/DC 24 V	G	1	red	RD	System potential AC/DC 24 V
	Y12	6	violet	VT	Pos. signal clockwise AC/DC 0 V
	Y14	7	orange	OG	Pos. signal counter-clockwise AC/DC 0 V
<b>GSD341.6A</b> AC 230 V	N	4	blue	BU	Neutral
	Y12	6	black	BK	Positioning signal clockwise AC 230 V
	Y14	7	white	WH	Positioning signal counter-clockwise AC 230 V
<b>GQD121.6A</b> AC/DC 24 V	G	1	red	RD	System potential AC/DC 24 V
	G0	2	black	BK	System neutral
<b>GQD321.6A</b> AC 230 V	L	3	brown	BN	Line AC 230 V
	N	4	blue	BU	Neutral

### RJ12 jack GSD141.6K



1) While stocks last

## Dimensions



Issued by  
Siemens Switzerland Ltd  
Building Technologies Division  
International Headquarters  
Theilerstrasse 1a  
6300 Zug  
Switzerland  
Tel. +41 58-724 24 24  
[www.siemens.com/buildingtechnologies](http://www.siemens.com/buildingtechnologies)

© Siemens Switzerland Ltd, 2007  
Technical specifications and availability subject to change without notice.