



OpenAir™ Linear actuators GDB/GLB...2 Technical basics

Contents

| | | |
|-------|--|----|
| 1 | Introduction | 5 |
| 1.1 | Revision history..... | 5 |
| 1.2 | About this document | 5 |
| 1.3 | Document contents | 5 |
| 2 | Linear actuators | 6 |
| 2.1 | Application | 6 |
| 2.2 | Type summary..... | 6 |
| 2.3 | Description of functions..... | 7 |
| 2.3.1 | Description of functions for GDB/GLB...2 | 7 |
| 2.3.2 | Supplementary information on the description of functions for GDB/GLB16..2..... | 8 |
| 2.4 | Controllers..... | 8 |
| 2.5 | Mechanical design | 9 |
| 2.6 | Setting and operating elements | 10 |
| 3 | Technical design | 11 |
| 3.1 | Drive motor | 11 |
| 3.2 | Linear travel, auxiliary switches and positioning signal..... | 11 |
| 3.3 | Adjustable characteristic function | 12 |
| 3.4 | Neutral zone..... | 13 |
| 4 | Engineering notes | 14 |
| 4.1 | Safety notes | 14 |
| 4.2 | Device-specific regulations | 15 |
| 4.3 | Notes on EMC optimization | 16 |
| 4.4 | Determining the linear actuator..... | 16 |
| 5 | Mounting notes | 17 |
| 6 | Wiring notes | 18 |
| 6.1 | Permissible line lengths and cross sectional area | 18 |
| 6.2 | Actuator wiring (three-position)..... | 20 |
| 6.3 | Actuator wiring (modulating) | 21 |
| 7 | Commissioning notes..... | 22 |
| 7.1 | General checks | 22 |
| 7.2 | Electrical functional check..... | 22 |
| 8 | Technical data..... | 24 |
| 9 | Diagrams..... | 26 |

| | | |
|-------|--|----|
| 9.1 | Internal diagrams | 26 |
| 9.2 | Cable labeling | 26 |
| 9.3 | Connection diagrams (three-position control) | 27 |
| 9.4 | Connection diagrams (modulating) | 28 |
| 9.4.1 | Typical application..... | 28 |
| 9.4.2 | Special diagram for modulating control..... | 28 |
| 10 | Environmental compatibility and disposal | 29 |
| 11 | Appendix | 30 |
| 11.1 | Dimensions | 30 |
| 11.2 | Referenced documents | 30 |

1 Introduction

1.1 Revision history

| Changes | Date | Chapter | Pages |
|---|------------|---------|----------------|
| Maximum linear travel Environmental conditions (temperature) | 15.01.2004 | 8 | 25/26 |
| Electrical parallel connection of actuators | 20.01.2004 | 4.2 | 16 |
| Referenced documents | 10.01.2005 | 11.2 | 32 |
| Determining the linear actuator | 03.02.2005 | 4.4 | 16 |
| Linear force support | | 5 | 17 |
| Permissible line lengths and cross-sectional area | | 6.1 | 17/18 |
| Environmental compatibility and disposal | | 10 | 28 |
| Referenced documents | | 11.1 | 29 |
| Types GDB/GLB132.2E / 332.2E / 164.2E / 166.2E removed | 16.09.2013 | all | whole Document |
| EU and RCM Conformity | 26.02.2016 | 8 | 25 |
| European Directive 2012/19/EU | | 10 | 29 |

1.2 About this document

| | |
|----------------------|---|
| Main audience | This document targets engineering, product management, and commissioning staff in the DUs. |
| Purpose | This document provides basic knowledge. In addition to background information, it contains general technical fundamentals on the GDB/GLB...2 linear actuator series. It offers all information on engineering, correct mounting and wiring, commissioning, and service. |
| Referenced documents | Section 11.2 "Referenced documents " contains a list of documents on rotary and linear actuators with accessories. |

1.3 Document contents

This document contains basic technical information on type series GDB/GLB...2 for:

- Three-position control and
- Modulating control

The following topics are discussed:

- Type summary and description of the available options
- Applications and functions
- Actuator design including setting and operating elements
- Adjustable auxiliary switches and characteristic function
- Notes on engineering and safety-specific guidelines and regulations
- Notes on mounting, wiring, and commissioning
- Technical data
- Diagrams
- Environmental compatibility and disposal

2 Linear actuators

Introduction

This chapter provides information on application, functions, and equipment combinations. Furthermore, it contains a type summary and explains the actuator design including setting and operating elements for this family of actuators.

2.1 Application

The linear actuators are used in ventilation and air conditioning plants to operate rotary and linear dampers:

- For damper areas up to 0.8 m² (GDB) and 1.5 m² (GLB), friction-dependent
- Suitable for modulating controllers (DC 0...10 V) or three-position controllers (e.g. rotary and linear dampers for air outlets)

2.2 Type summary

The following table shows the options for the linear actuator types.

| GDB/GLB... | 131.2E | 136.2E | 331.2E | 336.2E | 161.2E | 163.2E |
|---|----------------|--------|--------|--------|------------|--------|
| Mode of control | Three-position | | | | Modulating | |
| Operating voltage AC 24 V | X | X | | | X | X |
| Operating voltage AC 230 V | | | X | X | | |
| Positioning signal Y DC 0...10 V | | | | | X | |
| DC 0...35 V with characteristic function | | | | | | X |
| Position indicator U = DC 0...10 V | | | | | X | X |
| Self-adaption of linear travel range | | | | | X | X |
| Auxiliary switches (two) | | X | | X | | |
| Linear travel direction switch | | | | | X | X |

Accessories

For functional enhancements of the actuators, the following accessories are available:

| | |
|----------------------------|----------------|
| Clamp Set | ASK55.2 |
| Weather Shield | ASK75.5 |
| Data sheet for accessories | N4698 |

2.3 Description of functions

2.3.1 Description of functions for GDB/GLB...2

The functions are listed in a table and are assigned to the respective modes of control.

| Type | GDB/GLB13..2 / GDB/GLB33..2 | GDB/GLB16..2 |
|--|---|---|
| Mode of control | Three-position | Modulating |
| Positioning signal with adjustable characteristic function | | DC 0...35 V with offset $U_o = 0...5$ V and span $\Delta U = 2...30$ V |
| Linear travel, linear travel direction | The direction of linear travel depends: | |
| | On the mode of control. With no power applied, the actuator remains in the respective position. | <ul style="list-style-type: none"> On the direction of the DIL linear travel direction switch On the positioning signal The actuator stays in the position reached: <ul style="list-style-type: none"> If the positioning signal is maintained at a constant value If the supply voltage is interrupted |
| Position indication: Electrical | | <ul style="list-style-type: none"> Position indicator: Output voltage $U = DC 0...10$ V is generated proportional to the linear travel The direction of action (inverted or not inverted) of output voltage U depends on the DIL switch setting of the characteristic function |
| Self-adaptation of linear travel range | | <ul style="list-style-type: none"> Automatically determines the end position of the linear travel range The characteristic function ($U_o, \Delta U$) is mapped to the determined linear travel range |
| Auxiliary switches | The switching points for auxiliary switches A and B can be set independent of each other in increments of 3.4 mm between 3.4 and 57.1 mm. | |
| Response on damper blocking | | The actuator is equipped with an automatic switch-off mechanism. |
| Manual adjustment | The push rod can be manually adjusted by pressing the gear train disengagement button. | |

2.3.2 Supplementary information on the description of functions for GDB/GLB16..2

Characteristic function
(GDB/GLB163.2)

The following information applies to **modulating** actuators.

Offset U_0 and span ΔU can be adjusted using two potentiometers (see 3.3 "Adjustable characteristic function"). The maximum permissible input voltage ($U_0 + \Delta U$) is DC 35 V.

Application

Actuators featuring this function can be used for the following applications:

- Dampers with a linear travel limitation, for instance in the 0...30 mm range, can be controlled using the full positioning signal range DC 0...10 V.
- As a sequencing actuator in control loops that can only apply a DC 0...10 V positioning signal to control more than one sequence.
- In control systems with a positioning signal deviating from DC 0...10 V such as DC 0...35 V.

Self-adaption of the linear travel range
(GDB/GLB16..2)

The actuator automatically determines the mechanical end of range for the linear travel on:

- Activated self-adaption and switching-on of operating voltage.
- Switch-on and switch-off for self-adaption when operating voltage is supplied.

The table shows the different effects of the characteristic function's mapping to the linear travel range for "inactive self-adaption" and "active self-adaption" (see also section 3.3 "Adjustable characteristic function").

| Inactive self-adaption | Active self-adaption |
|--|--|
| <ul style="list-style-type: none"> • The actuator maps the characteristic function ($U_0, \Delta U$) to the positioning range $Y_s = 100\%$ for the linear travel range of 60 mm • Position indication with $U = DC\ 0...10\ V$ always for the linear travel range of 60 mm | <ul style="list-style-type: none"> • The actuator maps the characteristic function ($U_0, \Delta U$) to the positioning range $Y_s = 100\%$ for the determined linear travel range • Position indication with $U = DC\ 0...10\ V$ always for the linear travel range of 60 mm |

2.4 Controllers

The actuators can be connected to all controllers having the following outputs. All safety-related requirements must be fulfilled (see chapter 4 "Engineering notes").

| Actuator type | Mode of control | Controller output |
|---------------|-----------------|---------------------------|
| GDB/GLB13..2 | Three-position | AC 24 V |
| GDB/GLB33..2 | Three-position | AC 230 V |
| GDB/GLB16..2 | Modulating | DC 0...10 V / DC 0...35 V |

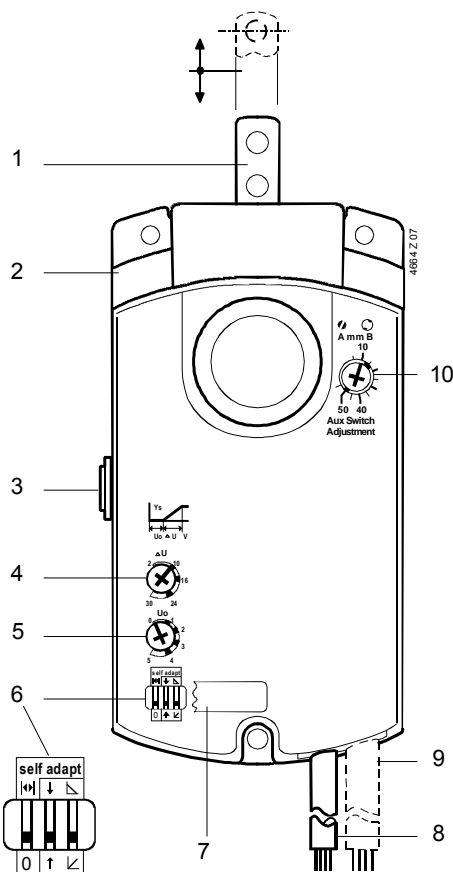
2.5 Mechanical design

| | |
|-----------------------|---|
| Description | The electromotoric GDB/GLB..2 linear actuators are available for three-position and modulating control. The nominal linear force is 125/250 N. The actuator has prewired connection cables. |
| Housing | Robust, light-weight plastic housing. The housing guarantees a long actuator life even under harsh environmental conditions. |
| Gear train | Maintenance-free and noise-free gear train with stall and overload protection for the life of the actuator. |
| Manual adjustment | When no voltage is supplied, you can manually adjust the actuator or the air damper by pressing the gear train disengagement button. |
| Electrical connection | All actuators have prewired, 0.9 m long (standard length) connection cables. |

| | |
|---|--|
| Type-specific elements | The actuators can be delivered as a type-specific variant having the following elements: |
| Auxiliary switches | For auxiliary functions, you can adjust auxiliary switches A and B on the actuator front. |
| Potentiometer for offset and span | Both potentiometers for the characteristic functions U_0 and ΔU are accessible on the front. |
| DIL switches (only for GDB/GLB16..2) | The DIL switches exist only in modulating actuators and are accessible from the front. |
| DIL switch cover (only for GDB/GLB16..2) | This cover protects the DIL switch against dust and water spray. |

2.6 Setting and operating elements

Linear actuator



Legend

1. Push rod \uparrow Outward
 \downarrow Inward
2. Base plate and housing
3. Slider to disengage the gear train
4. Potentiometer to set the span ΔU
5. Potentiometer to set the offset U_o
6. DIL switches for
 - self-adaption
 - linear travel direction
 - inverted or noninverted output voltage operating function
7. Cover for DIL switches
8. Connecting cable for power and positioning signal and position indication
9. Connecting cable for auxiliary switches
10. Setting shafts for auxiliary switches A and B

DIL switches (Legend pos. 6) GDB/GLB16..2

| Function | DIL switch | | |
|---|---|--|--|
| Self-adaption (See "Functions" for a functional description) | Active self-adaption | | Factory setting: Self-adaption OFF (0) |
| Linear travel direction | Linear travel direction inward ↓ | | Factory setting: Linear travel direction outward ↑ |
| Output voltage characteristic for position indication | Inverted | | Factory setting: noninverted |

The desired value can be adjusted using a flat blade screwdriver in accordance with the information supplied in "Technical design".

Auxiliary switches A and B: Factory setting

The auxiliary switches have the following factory settings:

- Switch A: Switching point at 3.4 mm
Switch B: Switching point at 57.1 mm

The settings for A and B can be set to the desired values using the setting shafts; refer to "Technical design".

Note

- In order to ensure an exact switching position for switches A and B, refer to "Adjustable auxiliary switches" under the "Technical design" heading.
- The linear travel scales are valid only for the **zero position** of the actuator on linear travel direction "**outward**".

3 Technical design

Introduction

This chapter discusses the following topics:

- Drive motor
- Adjustable auxiliary switches
- Adjustable characteristic function (setpoint signal, DC 0...35 V)
- Control characteristics by including the neutral zone

3.1 Drive motor

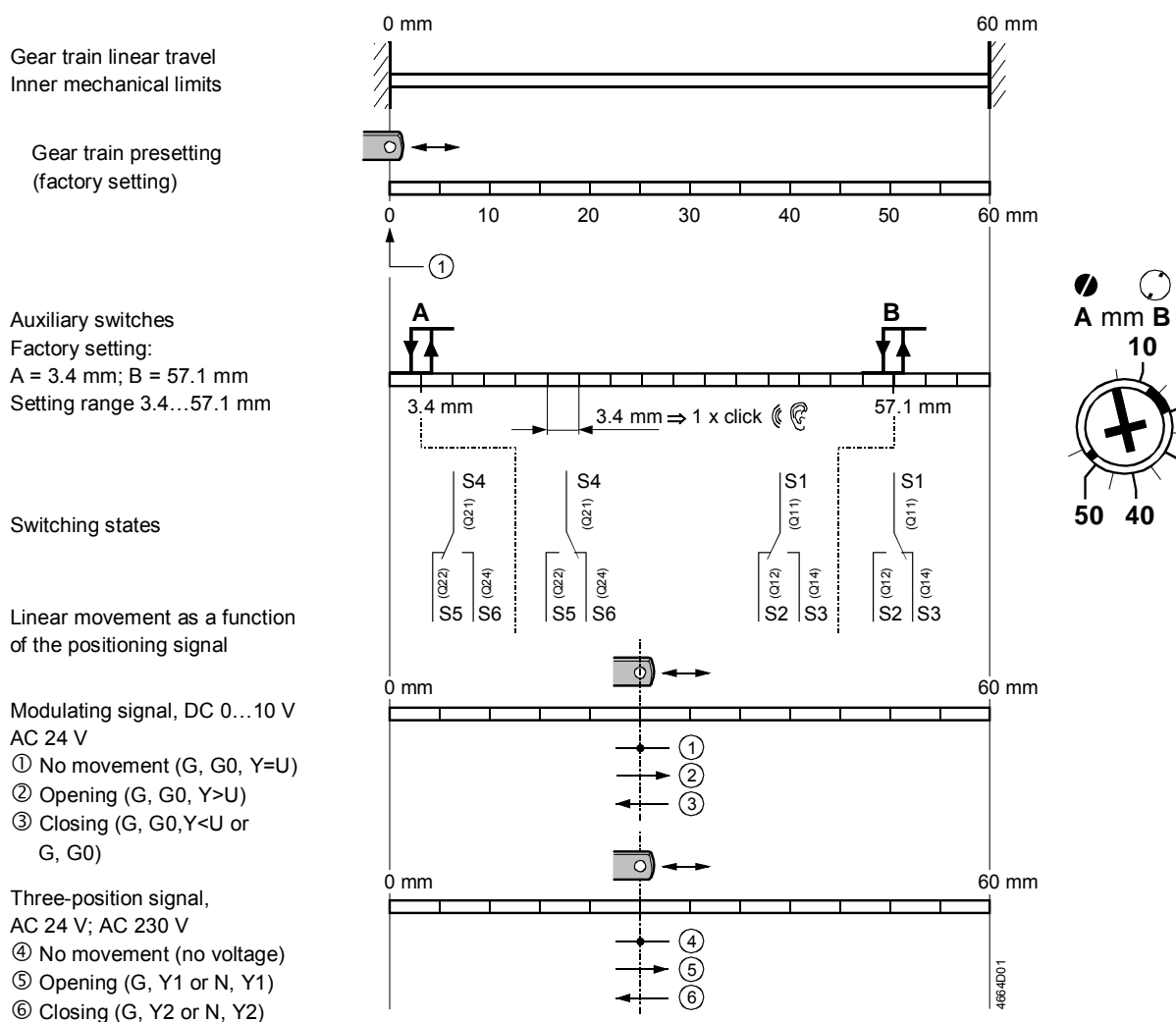
Drive motor

A synchronous motor enables accurate speed control. The magnetic coupling serves as linear force supervision to protect both actuator and damper.

3.2 Linear travel, auxiliary switches and positioning signal

Mechanical and electrical functions

The illustration below shows the relationship between the linear travel, the adjustable switching points for auxiliary switches A and B and the positioning signal.



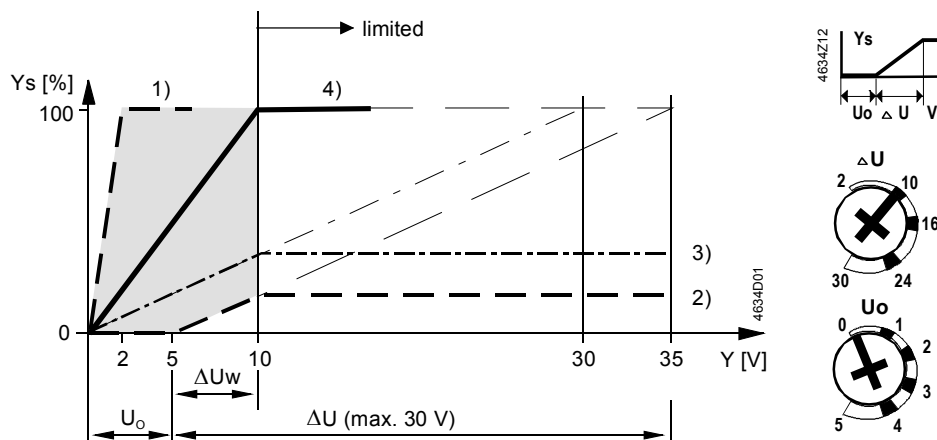
Note

The setting shafts for the auxiliary switches turn together with the actuator. The scales are valid only for the **zero position of the actuator** (push rod retracted).

3.3 Adjustable characteristic function

Actuators
GDB/GLB163.2

A modulating positioning signal DC 0...35 V from a controller controls the actuator. The linear travel is proportional to the positioning signal. Using potentiometer "U_o", you can set the offset for DC 0...5 V, and with potentiometer "ΔU", you can set the span for DC 2...30 V.



Y_s Positioning range
 For inactive self-adaption: 100 % = linear travel range 60 mm
 For active self-adaption: 100 % = determined linear travel range
 Y Positioning signal
 U_o Offset
 ΔU Span (for $Y_s = 100\%$)
 ΔU_w Effective span

Examples as per the diagram

| Example | Positioning signal Y | Pos. range Y_s | Settings | |
|---------|----------------------------|-----------------------|----------|------------|
| | | | U_o | ΔU |
| 1) | DC 0...2 V | 0...100 % | DC 0 V | DC 2 V |
| 2) | DC 5...10 V DC 5...35 V | 0...17 % 0...100 % | DC 5 V | DC 30 V |
| 3) | DC 0...10 V DC 0...30 V | 0...33 % 0...100 % | DC 0 V | DC 30 V |
| 4)* | DC 0...10 V | 0...100 % | DC 0 V | DC 10 V |

4)* Characteristic curve for factory setting

Note The Y input is limited to max. DC 10 V.
 The adjustable span ΔU is max. 30 V.

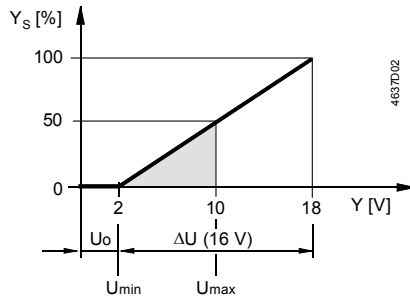
Example Define the adjustable span ΔU if the actuator is to open from 0...50 % at a positioning signal of $Y =$ DC 2...10 V. The offset U_o thus amounts to 2 V. The linear travel range is 60 mm. Self-adaption is inactive.

Formula Calculating the setting value for ΔU :

$$\Delta U = \frac{\text{max. pos. range } Y_s \text{ max } [\%]}{\text{span pos. range } Y_s [\%]} \cdot (10 [\text{V}] - U_o [\text{V}]) = \frac{100 \%}{50 \%} \cdot (10 \text{ V} - 2 \text{ V}) = 16 \text{ V}$$

Potentiometer settings $U_o = 2 \text{ V}$, $\Delta U = 16 \text{ V}$

Characteristic function for example



Max. positioning range $Y_{smax} = 100\%$ (60 mm)
 Span range $Y_s = 50\%$ (30 mm)
 Offset $U_o = 2\text{ V}$
 Span $\Delta U = 16\text{ V}$

Effective span
 $\Delta U_w = U_{max} - U_{min}$
 $= 10\text{ V} - 2\text{ V} = 8\text{ V}$

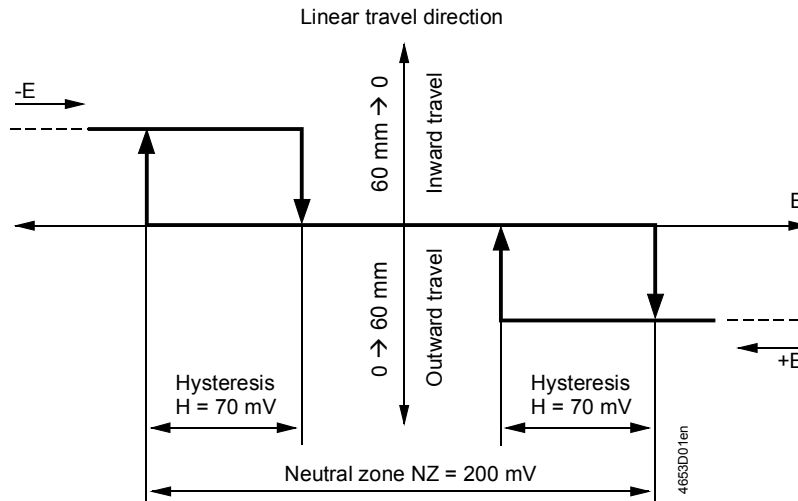
3.4 Neutral zone

Actuators
 GDB/GLB16...2
 (DC 0...10 V)

For modulating actuators, note the control characteristic for the selected switch-on point of the setpoint. The diagram shows the setting characteristics by including the neutral zone for range DC 0...10 V.

Note

The diagram shows the setting characteristics by including the neutral zone. The values for the neutral zone listed in the diagram apply to DC 0...10 V (**without characteristic function**) and if the linear travel direction is set to "outward travel".



Actuators
 GDB/GLB163.2,
 (DC 0...35 V)

For DC 0...35 V (**with characteristic function**) the following values apply:
 Neutral zone $NZ = 2\%$ of span ΔU .
 Hysteresis $H = 0.7\%$ of span ΔU .

4 Engineering notes

Introduction

Carefully study the basics of the control systems used before proceeding to the sections below, and pay special attention to all safety-related information.

Intended use

Use these actuators in a system only for applications as described in the basic system documentation of the control systems used. Additionally, note the actuator-specific properties and conditions as described in this chapter and in chapter 8 "Technical data".

4.1 Safety notes



Please observe
the following notes

Safety note

This chapter explains general and system-specific regulations for mains and operating voltages. It also contains important information regarding your own safety and that of your plant.

The warning triangle to the left means that you must observe all respectively listed regulations and notes. If ignored, injuries and equipment damages may result.

General regulations

Observe the following general regulations during engineering and project execution:

- Electric and high-power regulations of the respective country
- Other mandatory country regulations.
- House installation regulations of the respective country
- Regulations by the energy supplier
- Diagrams, cable lists, dispositions, specifications, and instructions as per the customer or the engineering company
- Third-party regulations from, e.g., the general contractors or building contractors

Safety

Electrical safety in Siemens building automation and control systems primarily depends on **extra-low voltage with safe isolation from mains voltage**.

SELV, PELV

Depending on the earthing of extra-low voltage, SELV or PELV applications as per HD384 "Electrical plants in buildings" result:

Unearthed = Safety Extra-Low Voltage SELV

Grounded = Protective Extra-Low Voltage PELV


Earthing of
G0 (system neutral)

Observe the following for grounding G0:

- As a rule, earthing as well as nonearthing of G0 is permissible for AC 24 V operating voltage. However, observe all local regulations and customary procedures.
- For functional reasons, earthing may be required or not permissible.

Recommendation on earthing G0

- **As a rule, ground AC 24 V systems** if not otherwise indicated by the manufacturer.
- To avoid earth loops, connect systems with **PELV** to the earth at **only one end** in the system - normally at the transformer - unless otherwise specified.

 Operating voltage
AC 24 V, AC 230 V

The following regulations apply to these operating voltages:


| | Regulation |
|---|---|
| Operating voltage AC 24 V | The operating voltage must comply with the requirements for SELV or PELV: <ul style="list-style-type: none"> • Permissible deviation of AC 24 V nominal voltage at the actuators: +/-20 % |
| AC 230 V | <ul style="list-style-type: none"> • Permissible deviation of AC 230 V nominal voltage at the actuators: +/-10 % |
| Specification on AC 24 V transformers | <ul style="list-style-type: none"> • Safety transformers as per EN 61558, with double insulation, designed for 100 % runtime to supply SELV or PELV circuits. • Determine the transformer's power consumption by adding up the power consumption in VA for all actuators used. • The capacity used from the transformer should amount to at least 50 % of the nominal load for efficiency reasons (power efficiency). • The nominal capacity of the transformer must be at least 25 VA. For smaller transformers, the ratio between voltage at idle time to voltage at full load is unsatisfactory (> + 20 %). |
| Fuse of AC 24 V operating voltage | Transformers, secondary side: <ul style="list-style-type: none"> • According to the effective load of all connected devices. • Line G (system potential) must always be fused • Where required, additional line G0 (system neutral) |
| Fuse of AC 230 V mains voltage | Transformers, primary side, as per the applicable installation regulations of the respective country. |

4.2 Device-specific regulations

 Device safety

Safety for the devices is ensured by (among other aspects):

- Supply of AC 24 V extra-low voltage as per **SELV** or **PELV**
- Double insulation between AC 230 V mains voltage and SELV/PELV circuits

 Auxiliary switches A, B

Apply **only mains voltage** or **only safety extra-low voltage** to the switching outputs of auxiliary switches A and B. Mixed operation is not permissible. Operation using various phases is not permissible.

Electrical parallel
connection of actuators

Up to 10 actuators of the same device type can be electrical parallel wired. Cable length and cable cross section have to be respected.

See chapter 6 "wiring notes" for more information.



Caution,
maintenance

Do not open the actuator.

The device is maintenance-free. Only the manufacturer may conduct any repair work.

4.3 Notes on EMC optimization

Running cables in a duct

Make sure to separate high-interference cables from equipment susceptible to interference.

Cable types

- Cables emitting interference: Motor cables, particularly motors supplied by variable speed drives, energy cable
- Cables susceptible to interference: Control cables, extra-low voltage cables, interface cables, LAN cables, digital and analog signal cables

Cable segregation

- You can run both cable types in the same cable ducting, but in different compartments.
- If ducting with three closed sides and a partition is not available, separate the interference-emitting cables from other cables by a minimum of 150 mm or route in separate ducting.
- Cross high-interference cables with equipment susceptible to interference only at right angles.
- When, as an exception, signal and interference-emitting supply cables are run in parallel, the risk of interference is very high. In this case, limit the cable length of the positioning signal line DC 0...10 V for modulating actuators.

Unshielded cables

We recommend to use unshielded cables. When selecting unshielded cables, follow the manufacturer's installation recommendations. In general, **unshielded twisted-pair** cables have sufficient EMC characteristics for building services (incl. data applications) as well as the advantage that no provision is required for coupling to the surrounding earth.


4.4 Determining the linear actuator

Required linear actuator

To determine the linear actuator, define the required total torque for the damper system. The total torque and the given construction allow you to determine the linear force. The type of actuator then results from the table:

| If the linear force is | then use type |
|------------------------|--------------------------|
| ≤ 125 N | GDB...2 (max. 180 N) |
| ≤ 250 N | GLB...2 (max. 350 N) |
| ≤ 400 N | GDB/GLB...2 (max. 800 N) |
| ≤ 550 N | GBB...2 (max. 1100 N) |

5 Mounting notes

| | |
|---|---|
| Mounting instructions | All information and steps to properly prepare and mount the actuator are available in the mounting instructions 4 319 2884 0 (M4664) delivered with the actuator. |
| Mounting position | Choose the actuator's mounting position so that you can easily access the cables as well as the setting elements on the front of the actuator. Refer to section 11.1 "Dimensions". |
| Device protection | To satisfy the IP40 protection class requirements, the following conditions must be fulfilled: <ul style="list-style-type: none">• The actuators are equipped only for vertical mounting (cable entries at the bottom).• Mount the actuator at max. +/- 45° to the vertical line: |
| Linear force support | <ul style="list-style-type: none">• Rotary damper application: To support the linear force a stable support for the actuator in accordance with the mounting instructions is required.• Linear damper application: Secure the actuator using on the face two M4 screws (or 3 self-tapping screws ST 4.2 through the base plate). |
| Manual adjustment | You can manually adjust the push rod by pressing the gear train disengagement button. |
|  | Don't adjust the actuator manually during control operation. |
| Mechanical limitation of linear travel | If needed, you can limit the linear travel by selecting a specific damper level length or by using the clamp set ASK55.2. |

6 Wiring notes

Introduction

Prior to wiring, study all information in the following sections:

- "Safety notes" in section 4.1
- "Device-specific regulations" in section 4.2
- "Notes on EMC optimization" in section 4.3,
- "Diagrams" in chapter 9, and the
- HVAC plant diagram.

6.1 Permissible line lengths and cross sectional area

The line lengths and cross-sectional areas depend on the actuators power consumption and the permissible voltage drop of the connection lines to the actuator. Determine the necessary line length from the following diagram and the formulas.

Note

To determine the permissible line length, adhere to the permissible operating voltage tolerance at the actuator (see chapter 8, "Technical data") in addition to the permissible voltage drop between the signal and supply lines (see table below).

Permissible voltage drop

The line sizing between the controller and the actuators depends on the actuator type used and is determined on the following basis.

| Type | Operating voltage | Line | Max. permissible voltage drop |
|--------------|-------------------|-------------------|---|
| GDB/GLB13..2 | AC 24 V | G, Y1, Y2 | 4 % each (tot. 8 %) of AC 24 V |
| GDB/GLB16..2 | AC 24 V | G0, G G0, Y, U | 4 % each (tot. 8 %) of AC 24 V 1 % each of DC 10 V |
| GDB/GLB33..2 | AC 230 V | L, N | 2 % each (tot. 4 %) of AC 230 V |

Notes on the G0 line (GDB/GLB16..2)

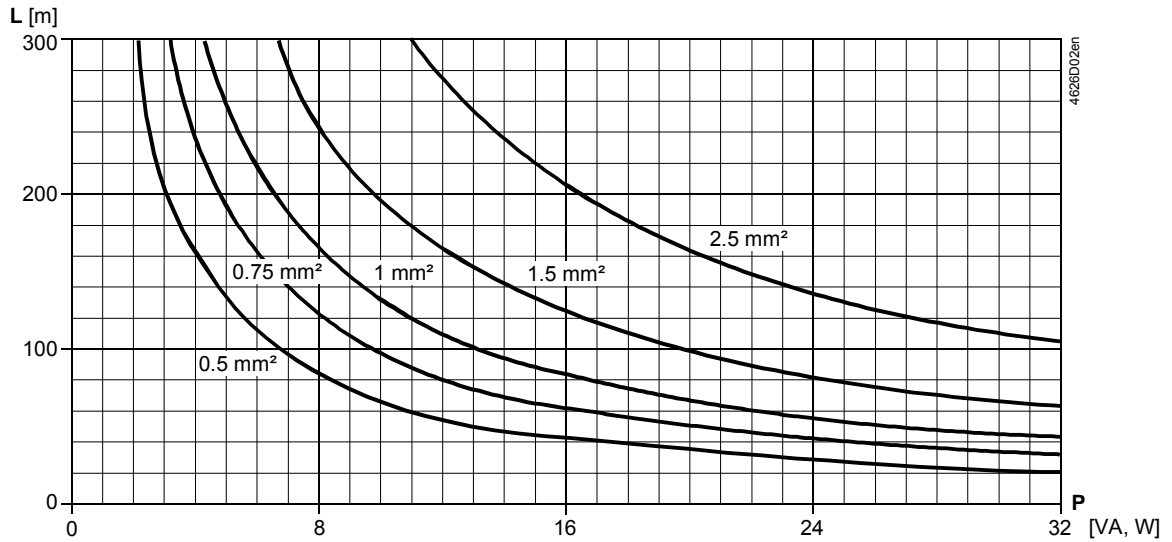
Consider the following criteria:

- For modulating control:
The permissible positioning signal error caused by a voltage drop in the line current on the G0 line must not exceed 1 %.
- The G0 line's voltage drop caused by surges in the DC circuit in the actuator may not exceed 2 Vpp.
- In the case of improper sizing of the G0 line, actuator load changes may cause natural oscillation due to a change in the DC voltage drop.
- The supply voltage loss at AC 24 V may not exceed 8 % (4 % across G0 line).
- **DC voltage drop across the G0 line** is caused as follows:
 - Asymmetrically in the internal actuator supply
 - Positioning signal current DC 0.1 mA (from Y = DC 10...10 V)
 - Positioning signal current DC 1 mA (from U = DC 0...10 V)

It can be ignored for the following aspects.

**Line length/consumption
AC 24 V**

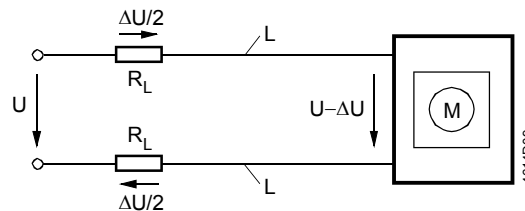
The diagram applies to AC 24 V and shows the permissible line length **L** as a function of consumption **P** and as a parameter of the line cross sections.



Notes on diagram

- The values in [VA, W] on the P-axis are allocated to the permissible voltage drops ($\Delta U/2U = 4\%$) on line L as per the above table and to the diagram.
- P is the primary power consumption for all actuators connected in parallel.

Diagram:
Voltage drop on the supply lines



Formula for line length

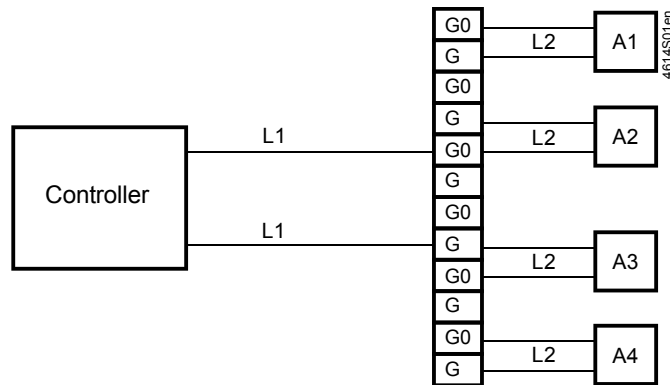
The maximum line length can be calculated using the following formula.

| Operating voltage | Perm. voltage drop/line | Formula for line length |
|-------------------|-------------------------|---|
| AC 24 V | 4 % of AC 24 V | $L = \frac{1313 \cdot A}{P}$ [m] |
| | 1 % of DC 10 V | $L = \frac{5.47 \cdot A}{I(\text{DC})}$ [m] |
| AC 230 V | 2 % of AC 230 V | $L = 46 \cdot \frac{1313 \cdot A}{P}$ [m] |

- A Line cross section in [mm²]
- L Permissible line length in [m]
- P Power consumption in [VA] or [W];
the value is printed on the actuator's type plate
- I(DC) DC current portion in line G0 in [A]

Line length for actuators connected in parallel

The following sections show how to determine the permissible line length and cross sections for the various actuators based on examples.
The examples for actuators connected in parallel apply to the following arrangement:



Assumption

The line resistances of L2 are equal and can be ignored for L1. Separately calculate the permissible line lengths L2 for other connections (ring, star-like).

6.2 Actuator wiring (three-position)

Actuators with three-position control GDB/GLB13..2

With three-position actuators, only the situation as presented under **AC 24 V** is important. Sizing takes place via lines 1 (G), 6 (Y1), and 7 (Y2).

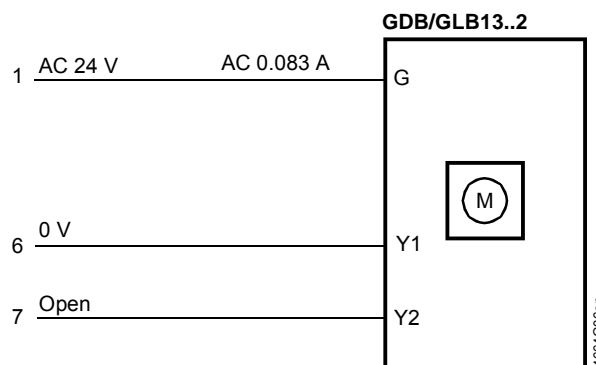
Power consumption and perm. voltage drop with one actuator

The table shows the power consumption of an actuator as well as the permissible voltage drop.

| Operating voltage/ positioning signal | Power consumption | Perm. voltage drop for line 1 (G), 6 (Y1), 7 (Y2) |
|--|-------------------|---|
| AC 24 V | 2 VA | $\Delta U/U = \text{max. } 8\% \text{ (4\% each per line)}$ |

Diagram:
Currents at AC 24 V

The diagram shows the currents in the connecting lines for **one actuator**.



Example:
Parallel connection
of two actuators

Determining the line lengths for two actuators GDB/GLB13..2 and AC 24 V supply.
Only the currents in line 1 (G) and 6 (Y1) or 7 (Y2) determine the line sizing.

Max. permissible voltage drop = **4 % per line** (total 8 %).

- Consumption = $2 \times 2 \text{ VA} = 4 \text{ VA}$
- Line current = $2 \times 0.083 \text{ A} = 0.167 \text{ A}$

Max. permissible single line length: 235 m at 0.75 mm^2 cross-sectional area.

6.3 Actuator wiring (modulating)

Modulating actuators GDB/GLB16..2

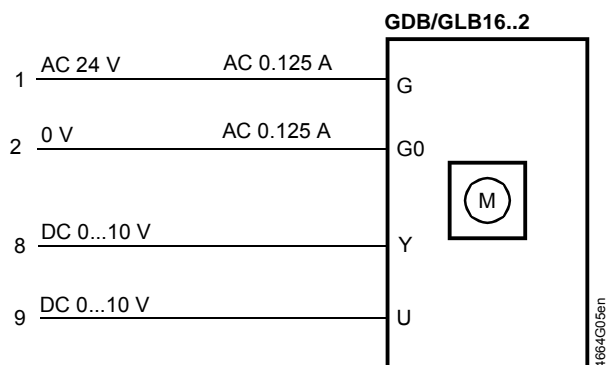
With AC supply, the G0 line has a AC 0.125 A supply current and a DC 0.1 mA positioning signal current (from Y = DC 0...10 V). The AC voltage drop on the G0 line does not impact the positioning signal Y.

Power consumption and perm. voltage drop with one actuator

| Operating voltage | Power consumption | Perm. voltage drop for line |
|-------------------|-------------------|-----------------------------|
| | | 1 (G), 2 (G0) |
| AC 24 V | 3 VA | 4 % of AC 24 V |

Diagram:
Currents

The diagram shows the currents in the connecting lines for **one actuator**.



Example:
Parallel connection
of four actuators

Determining the line lengths for four actuators GDB/GLB16..2 and AC 24 V supply. Only the AC currents in line 1 (G) and 2 (G0) determine the line sizing. Max. permissible voltage drop = **4 % per line**.

- Consumption = $4 \times 3 \text{ VA} = 12 \text{ VA}$
- Line current = $4 \times 0.125 \text{ A} = 0.5 \text{ A}$
- **Permissible single line length for G, G0:**
165 m at 1.5 mm² line cross section, or
275 m at 2.5 mm² line cross section

7 Commissioning notes

References

All information necessary for commissioning is contained in the following:

- This document ("Technical basics" Z4664en)
- Mounting instructions 74 319 2884 0 (M4664)
- HVAC plant diagram

7.1 General checks

Environmental conditions

Check to ensure that all permissible values as contained in chapter 8 "Technical data" are observed.

Mechanical check

- Check for proper mounting and to ensure that all mechanical settings correspond to the plant-specific requirements. Additionally, ensure that the dampers are shut tight when in the closed position.
- Linear movement check: Manually change the damper setting by pressing the gear train disengagement button and moving the push rod (only if no voltage is applied).
- Linear force support: Make sure the actuator is properly secured at the maximum possible tight close-off of the dampers.

Electrical check

- Check to ensure that the cables are connected in accordance with the plant wiring diagram.
- The operating voltage AC 24 V (SELV/PELV) or AC 230 V must be within the tolerance values.

7.2 Electrical functional check

Linear movement: Three-position control GDB/GLB13..2, GDB/GLB33..2

Check the actuator operating states as follows (see also section 9.3 "Connection diagrams (three-position control)").

| Wire connections | | Linear travel direction |
|--------------------|--------------------|------------------------------------|
| AC 24 V | AC 230 V | |
| 1 – 6 | 4 – 6 | Outward travel |
| 1 – 7 | 4 – 7 | Inward travel |
| 1 – 6 / 1 – 7 open | 4 – 6 / 4 – 7 open | Actuator stays in position reached |

Linear movement: Modulating control GDB/GLB16..2

Check the actuator operating states as follows (see also section 9.4 "Connection diagrams (modulating)"):

- When applying input signal Y = DC 10 V, the push rod travels inward or outward depending on the DIL switch setting.
- The linear travel direction set at the DIL switch must match the desired damper movement direction.
- After interrupting the AC 24 V operating voltage, the actuator stops.
- After interrupting positioning signal Y, but while operating voltage is still supplied, the push rod returns to its zero position.

Characteristic function for the positioning signal GDB/GLB163.2

Factory setting: The potentiometers for setting the offset U_0 and span ΔU are set to the following values: $U_0 = 0 \text{ V}$, $\Delta U = 10 \text{ V}$.

Note

Specify the values set for U_0 and ΔU in the plant papers.

Position indicator GDB/GLB16..2

Check of output voltage U:

- For active or inactive self-adaption: $U = \text{DC } 0 \dots 10 \text{ V}$ for the **linear travel range of 60 mm**.

**Auxiliary switches
A and B**

- Switchover of the auxiliary switch contacts "A" and "B" as soon as the actuator reaches the respective switching positions.
- Set the setting shafts with screw driver to the desired value (see section 3.2, "Linear travel, auxiliary switches").

Important

The scale values are valid only for the **zero position** of the actuator in the "**outward**" direction of linear travel.

Factory setting

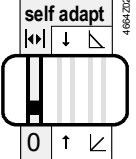
The auxiliary switches have the following factory settings:

- Switch A: Switching point at 3.4 mm.
- Switch B: Switching point at 57.1 mm.

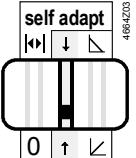
DIL switches
for GDB/GLB16..2

Use the three DIL switches to check the functions of these actuators.

Self-adaption

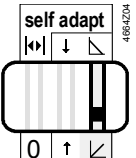
| | |
|---|---|
|  | <ul style="list-style-type: none"> • Alternative switch-on/switch-off of self-adaption. • \leftarrow: ON • 0: OFF • Factory setting: 0 |
|---|---|

Linear travel direction

| | |
|---|---|
|  | <ul style="list-style-type: none"> • The set linear travel direction must match the desired damper movement direction. • Factory setting: \uparrow • Also check the operating states for special switchings as per section 9.4.2. |
|---|---|

Output voltage
characteristic for position
indication
(GDB/GLB163.2)

The operating action of output voltage U for the electrical position indication can be selected independent of the direction of linear travel.
Following variants are possible:

|  | The linear travel direction 0...60 mm | DIL-switch position | | Output voltage U |
|---|---|---------------------|-------------|------------------|
| | \downarrow | \swarrow | Noninverted | DC 0...10 V |
| | \downarrow | \searrow | Inverted | DC 10...0 V |
| | \uparrow | \swarrow | Noninverted | DC 0...10 V |
| | \uparrow | \searrow | Inverted | DC 10...0 V |
| Factory setting | Characteristic noninverted (\swarrow) | | | |
| | $Y_S = 0...100\% (0...60 \text{ mm})$ | | | |
| | $U = \text{DC } 0...10 \text{ V} / U_o = 0 \text{ V}$ | | | |

8 Technical data

! AC 24 V power supply
(SELV/PELV)
GDB/GLB13..2, 16..2

| | |
|---|---|
| Operating voltage | AC 24 V ± 20 % |
| Frequency | 50/60 Hz |
| Safety extra-low voltage (SELV) or Protective extra-low voltage (PELV) as per Requirements for external safety isolating transformer (100 % duty) | HD 384 as per EN 61558 |
| Supply line fuse | max. 10 A |
| Power consumption | GDB/GLB13..2: Actuator operational GDB/GLB16..2: Actuator operational Holding |
| | 2 VA / 1 W 3 VA / 2 W 1 W |

! AC 230 V power supply
GDB/GLB33..2

| | |
|--------------------|----------------------|
| Operating voltage | AC 230 V ± 10 % |
| Frequency | 50/60 Hz |
| Supply line fuse | max. 10 A |
| Power consumption: | Actuator operational |
| | 2 VA / 1 W |

Function data

| | |
|---|------------------------|
| Nominal linear force | GDB 125 N / GLB 250 N |
| Maximum linear force (blocked) | GDB 180 N / GLB 350 N |
| Minimum holding torque | GDB 125 N / GLB 250 N |
| Maximum linear travel (mechanical limitation) | 60 mm |
| Runtime for 57 mm linear travel | 150 s |
| Mechanical life | 10 ⁵ cycles |

! Inputs

Positioning signal
for GDB/GLB13..2

| | |
|---------------------------------------|----------------|
| Operating voltage AC 24 V (wires 1-6) | Outward travel |
| (wires 1-7) | Inward travel |

Positioning signal
for GDB/GLB33..2

| | |
|--|----------------|
| Operating voltage AC 230 V (wires 4-6) | Outward travel |
| (wires 4-7) | Inward travel |

Positioning signal
for GDB/GLB16..2

| | |
|---|--|
| Input voltage (wires 8-2) | DC 0...10 V |
| Current consumption | 0.1 mA |
| Input resistance | > 100 kΩ |
| Max. permissible input voltage | DC 35 V is limited to a max. of DC 10 V |
| Protected against faulty wiring | max. AC 24 V |
| Neutral zone for non-adjustable characteristic function | 200 mV |
| for adjustable characteristic function | 2 % of ΔU |
| Hysteresis for non-adjustable characteristic function | 70 mV |
| for adjustable characteristic function | 0.7 % of ΔU |

Adjustable characteristic
function for GDB/GLB163.2

| | |
|------------------------------------|--|
| Adjustable with 2 potentiometers: | |
| Offset U ₀ | DC 0...5 V |
| Span ΔU for Y _s = 100 % | DC 2...30 V |
| Max. input voltage | DC 35 V is limited to a max. of DC 10 V |
| Protected against faulty wiring | max. AC 24 V |

! Outputs

Position indicator
for GDB/GLB16...2

| | |
|---|--------------|
| Output signal (wires 9-2) | |
| Output voltage (for Y _s = 0...100 %) | DC 0...10 V |
| Max. output current | DC ± 1 mA |
| Protected against faulty wiring | max. AC 24 V |

! Auxiliary switches
for GDB/GLB136.2,
GDB/GLB336.2

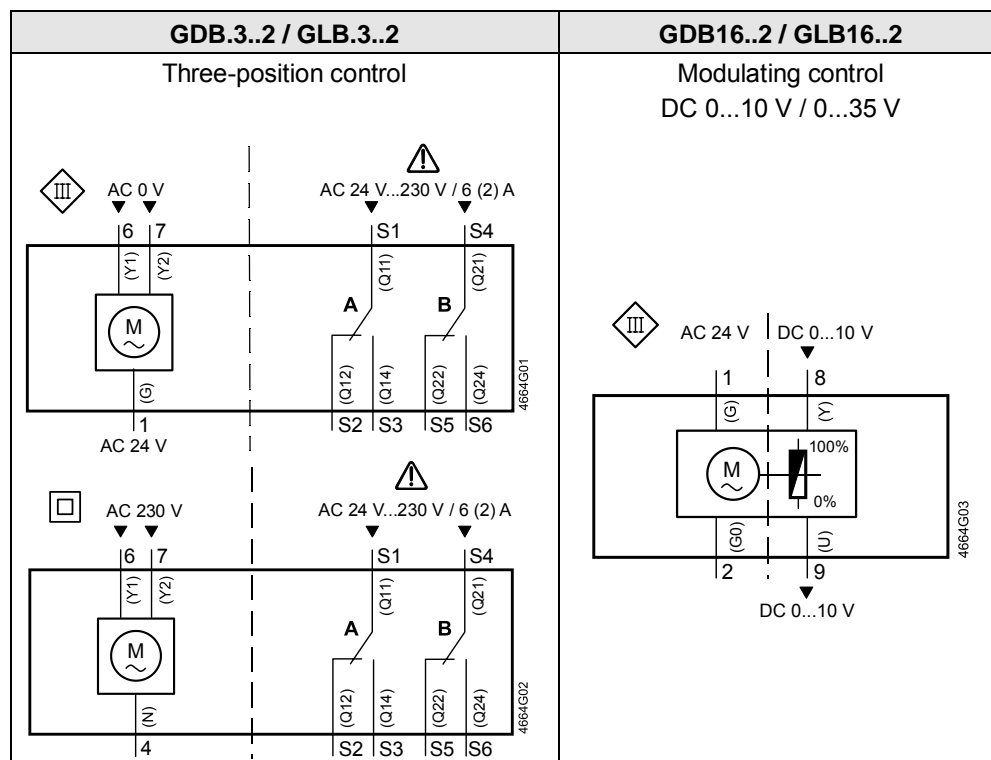
| | | | |
|---------------------------------|--|---------------------------------|--------------------------------|
| | Contact rating | 6 A resistive, 2 A inductive | |
| | Life: | 6 A resistive, 2 A inductive | 10 ⁴ switchings |
| | | 5 A resistive, 1 A inductive | 5 x 10 ⁴ switchings |
| | | without load | 10 ⁶ switchings |
| | Switching voltage | AC 24...230 V | |
| | Nominal current resistive/inductive | 6 A / 2 A | |
| | Electric strength auxiliary switch against housing | AC 4 kV | |
| | Switching range for auxiliary switches | 3.4...57.1 mm | |
| | Setting increments | 3,4 mm | |
| | Switching hysteresis | 2 mm | |
| | Factory switch setting | | |
| | Switch A | 3.4 mm | |
| | Switch B | 57.1 mm | |
| Connection cables | Cross section of prewired connection cables | 0.75 mm ² | |
| | Cable length | 0.9 m | |
| | Permissible length for signal lines | 300 m (see chapter 6) | |
| Degree of protection of housing | Degree of protection as per EN 60 529 | IP 40 | |
| Protection class | Insulation class | as per EN 60730 | |
| | AC 24 V | III | |
| | AC 230 V | II | |
| | Auxiliary switches | II | |
| Environmental conditions | Operation | EN 60721-3-3 | |
| | Climatic conditions | class 3K5 | |
| | Mounting location | interior, weather-protected | |
| | Temperature | -32...+55 °C | |
| | Humidity (noncondensing) | < 95 % r. h. | |
| | Transport | EN 60721-3-2 | |
| | Climatic conditions | class 2K2 | |
| | Temperature | -32...+70 °C | |
| | Humidity (noncondensing) | < 95 % r. h. | |
| | Mechanical conditions | class 2M3 | |
| Standards and directives | Product safety | EN 60730-2-14 | |
| | Automatic electrical controls | (type 1) | |
| | for household and similar use | | |
| | Electromagnetic compatibility | For residential, commercial and | |
| | (Application) | industrial environments | |
| | | GDB...2 | GLB...2 |
| | EU Conformity (CE) | A5W00003842 ¹⁾ | A5W00000176 ¹⁾ |
| | | GDB...2 | GLB...2 |
| | RCM Conformity | A5W00003843 ¹⁾ | A5W00000177 ¹⁾ |
| | Product environmental declaration ²⁾ | CM2E4634E ¹⁾ | |
| Dimensions | Actuator W x H x D (see "Dimensions") | 70.3 x 152 x 59 mm | |
| | Push rod (profile) | 10 x 4 mm | |
| Weight | without packaging | | |
| | GDB/GLB..2 | 0.48 kg | |

¹⁾ The documents can be downloaded from <http://siemens.com/bt/download>

²⁾ The product environmental declaration contains data on environmentally compatible product design and assessments (RoHS compliance, materials composition, packaging, environmental benefit, disposal).

9 Diagrams

9.1 Internal diagrams



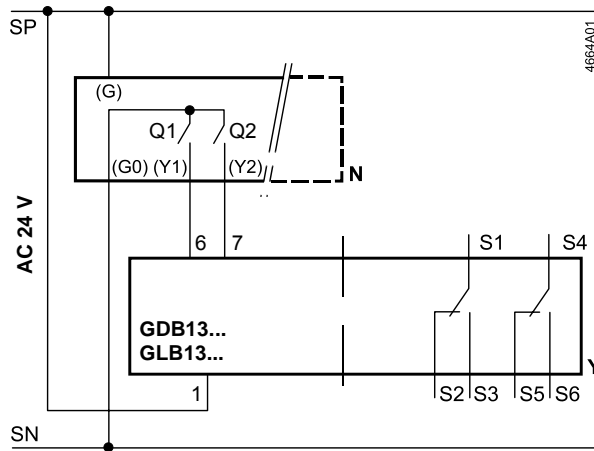
9.2 Cable labeling

All wires are color-coded and labeled.

| Pin | Cable | | | | Meaning |
|--------------------|-------|--------|------------|--------------|--------------------------------------|
| | Code | Number | Color | Abbreviation | |
| Actuators AC 24 V | G | 1 | red | RD | System potential AC 24 V |
| | G0 | 2 | black | BK | System neutral |
| | Y1 | 6 | purple | VT | Pos. signal AC 0 V, outward travel |
| | Y2 | 7 | orange | OG | Pos. signal AC 0 V, inward travel |
| | Y | 8 | grey | GY | Pos. signal DC 0...10 V, 0...35 V |
| | U | 9 | pink | PK | Position indication DC 0...10 V |
| Actuators AC 230 V | N | 4 | blue | BU | Neutral conductor |
| | Y1 | 6 | black | BK | Pos. signal AC 230 V, outward travel |
| | Y2 | 7 | white | WH | Pos. signal AC 230 V, inward travel |
| Auxiliary switch | Q11 | S1 | grey/red | GY RD | Switch A Input |
| | Q12 | S2 | grey/blue | GY BU | Switch A Normally closed contact |
| | Q14 | S3 | grey/pink | GY PK | Switch A Normally open contact |
| | Q21 | S4 | black/red | BK RD | Switch B Input |
| | Q22 | S5 | black/blue | BK BU | Switch B Normally closed contact |
| | Q24 | S6 | black/pink | BK PK | Switch B Normally open contact |

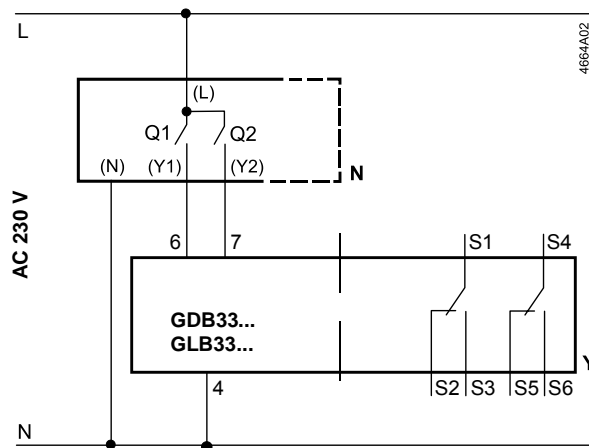
9.3 Connection diagrams (three-position control)

GDB/GLB13..2
AC 24 V (SELV/PELV)



N Controller
Y Actuator GDB/GLB13..2
SP System potential AC 24 V
SN System neutral
Q1, Q2 Controller contacts

GDB/GLB33..2
AC 230 V



N Controller
Y Actuator GDB/GLB33..2
L System potential AC 230 V
N System neutral
Q1, Q2 Controller contacts

Operating states for
actuators
GDB/GLB13..2,
GDB/GLB33..2

The table shows the actuator's operating state for both linear travel directions regardless of the position of the controller contacts Q1 and Q2.

| Controller contacts | | Operating state |
|---------------------|----|-----------------------------|
| Q1 | Q2 | |
| | | Remains in position reached |
| | | |
| | | |
| | | Not permissible |

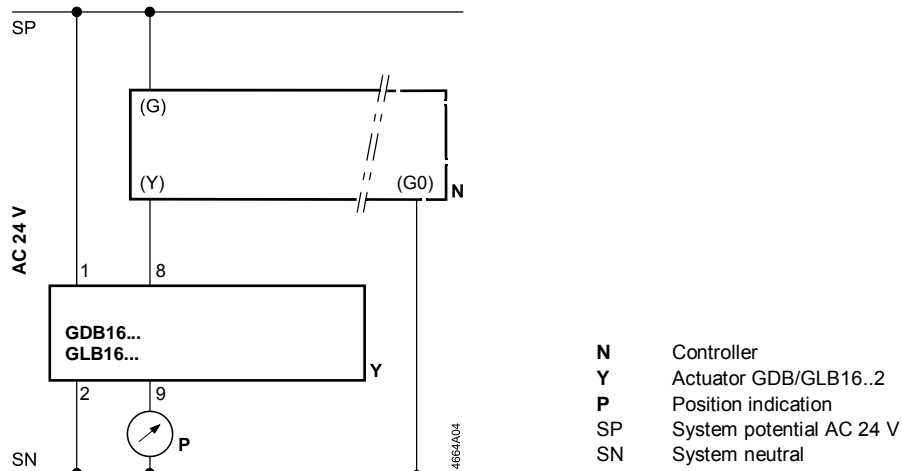
4664T05

9.4 Connection diagrams (modulating)

9.4.1 Typical application

The controller output is connected directly to the actuator input.

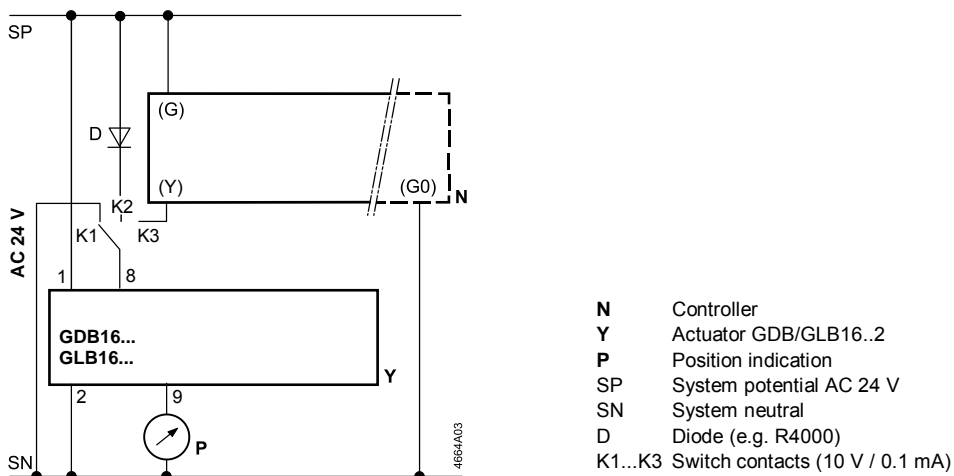
GDB/GLB16..2



9.4.2 Special diagram for modulating control

The following connections enable different operating states of the actuator depending on the position of the changeover switch featuring switch contacts K1, K2, K3 (see table of operating states).

Modulating control, fully open, fully locked with GDB/GLB16..2



Operating states with GDB/GLB16..2

| Switch contacts | Operating state | Linear direction | |
|----------------------------|--------------------|------------------|--|
| K3 | Modulating control | | |
| K2 | Fully open | | |
| K1 | Fully closed | | |
| DIL switch position | | | |

4653T03en

Note
 GDB/GLB163.2

*) Actuators with adjustable characteristic function: Full opening cannot be reached (dependent on U_0 , ΔU) in this position (switch contact K2).

10 Environmental compatibility and disposal

General notes

These actuators were developed and manufactured by using environmentally-compatible materials and by complying with our environmental standards.

For disposal, please remember the following at the end of product life or on defects:

- The device consists of :
 - Plastic materials
 - Materials such as steel, ferrite core, etc.

Do not dispose of as household garbage. This particularly applies to the circuit board. See also European Directive 2012/19/EU

- As a rule, dispose of all waste in an environmentally compatible manner and in accordance with environmental, recycling, and disposal techniques. **Ad-here to all local and applicable laws.**
- The aim is to achieve maximum recyclability at the lowest possible pollution. To do this, note the various material and disposal notes printed on specific parts.

Environmental declaration

The environmental declarations for these actuators contain detailed information on the materials and volumes used. Request a declaration at your local Siemens sales office.

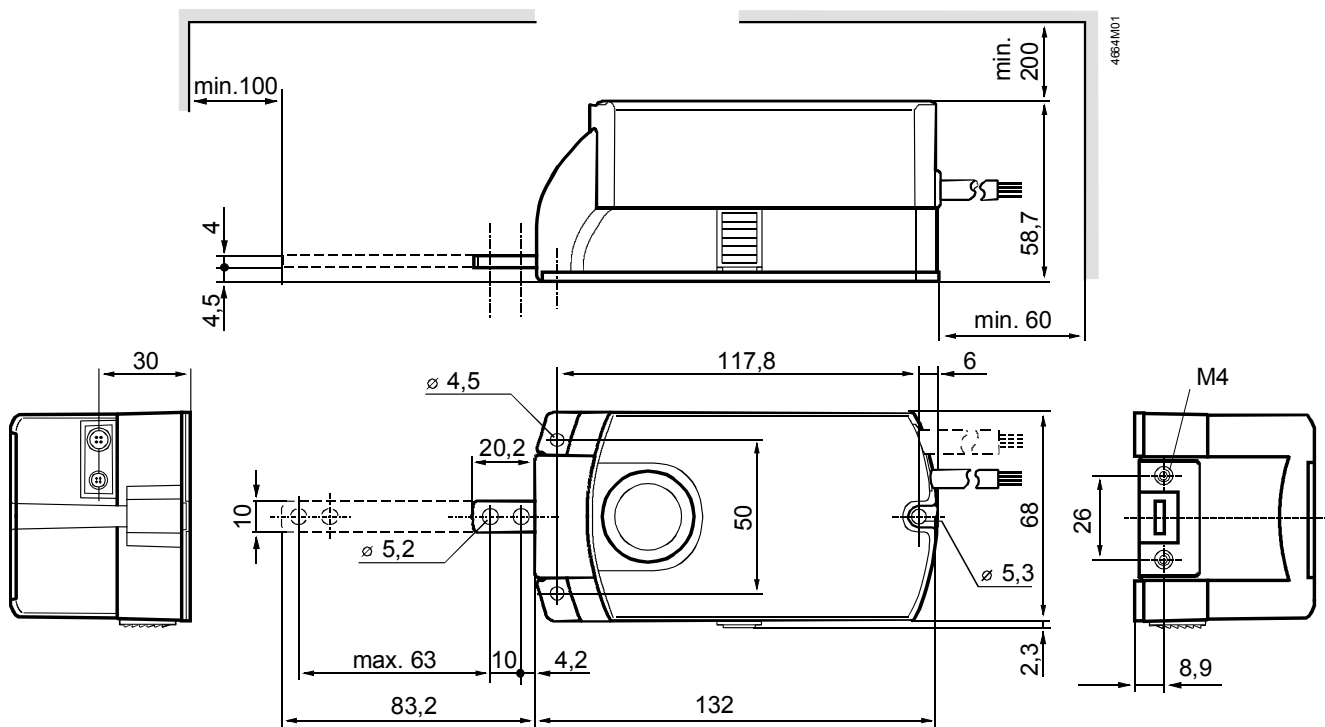
11 Appendix

Chapter contents

This chapter contains:

- Linear actuator dimensions
- Referenced documents

11.1 Dimensions



Dimensions in mm

11.2 Referenced documents

Purpose of this listing

The previous chapters contain all information relevant to safety and project-specific requirements, mounting, wiring, and commissioning of linear actuators.

Documents and standards

The following list contains all documents referenced by this document on basics:

- Data sheets (N....) with detailed specifications
- Mounting instructions (M....), documents supplied with product

Note

The document and classification numbers listed in the table below match those of the Database "STEP" on the company-internal Intranet.

Standards

All standards and directives relevant to engineering are also listed.

Technical documentation
Type series GDB/GLB...2

| Document number (classification no.) | Title / description | Contents |
|--------------------------------------|---|--|
| CM2N4664en (N4664) | Actuators for air dampers, linear version (GDB/GLB...2: Three-position, and modulating control) | Type overview, function and selection criteria |
| 4 319 2884 0 (M4664) | Mounting instructions on GDB/GLB...2 | Instructions on mounting a linear actuator |

Accessories

| | | |
|-------------------------|-----------------------------|--|
| CM2N4698en (N4698) | Accessories and spare parts | Overview, allocation to actuator type, and application |
| 4 319 2196 0 (M4664.1) | Mounting instructions | Clamp set ASK55.2 |
| 7 431 9066 20 (M4634.3) | Mounting instructions | Weather Shield ASK75.5 |

Standards

| | |
|-------------------|---|
| HD 384 | Electrical installations in buildings |
| EN 61 558 | Safety of transformers, mains-powered units and similar equipment |
| EN 60 730 | Automatic electrical controls for household and similar use |
| IEC/EN 61 000-6-2 | Electromagnetic compatibility: Immunity for all models |
| IEC/EN 61 000-6-3 | Electromagnetic compatibility: Emissions |
| 2004/108/EC | Directive for electromagnetic compatibility |
| 2006/95/EC | Low voltage directive |

Issued by
Siemens Switzerland Ltd
Building Technologies Division
International Headquarters
Gubelstrasse 22
6301 Zug
Switzerland
Tel. +41 41-724 24 24
www.siemens.com/buildingtechnologies

© Siemens Switzerland Ltd, 2012
Technical specifications and availability subject to change without notice.