

- de** Montageanleitung
- en** Mounting instructions
- fr** Instructions de montage
- sv** Monteringsinstruktion
- nl** Montage-aanwijzing
- it** Istruzioni di montaggio
- fi** Asennusohje
- es** Instrucciones de montaje
- da** Monteringsvejledning

QAM2151.040/MO

QAM...

A

B

C

For US and Asia Pacific only:

G

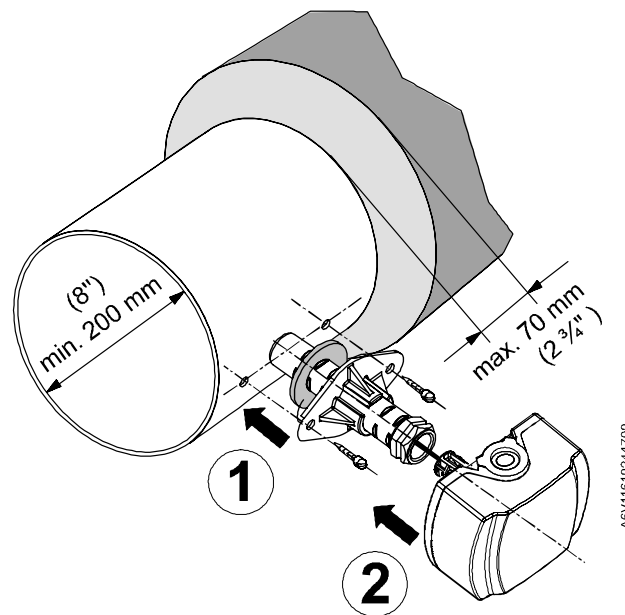
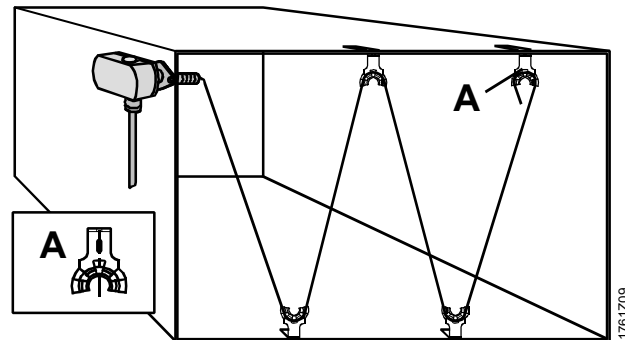
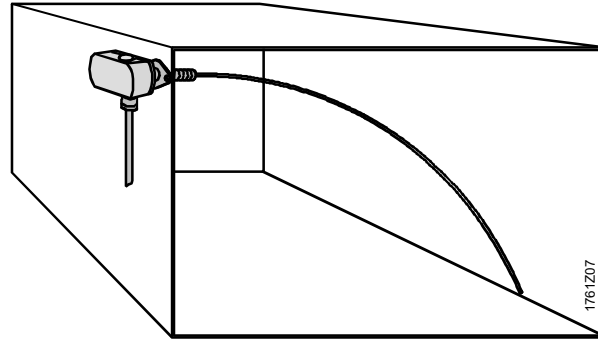
G	AC 24 V ±20 % / DC 13.5...35 V
G0	GND
+	RS485 Modbus A
-	RS485 Modbus B
Ref	GND_ISO

X1

4	3	
○	○	OFF
○	○	ON
1	2	

Bus termination resistor
120 Ω (jumper)

D



Open Source Software (OSS)

All open source software components used within the product (including their copyright holders and the license conditions) can be found from the website <http://www.siemens.com/download?A6V11698658>.

Issued by
Siemens Switzerland Ltd
Smart Infrastructure
Global Headquarters
Theilerstrasse 1a
CH-6300 Zug
Tel. +41 58 724 2424
www.siemens.com/buildingtechnologies

© Siemens Switzerland Ltd, 2019
Technical specifications and availability subject to change without notice.